



# CARBON C10 XL

A U D I O

804 CALLE PLANO, CAMARILLO, CA 93012 - 888.340.4403 - WWW.ILLUSIONAUDIO-AMERICA.COM

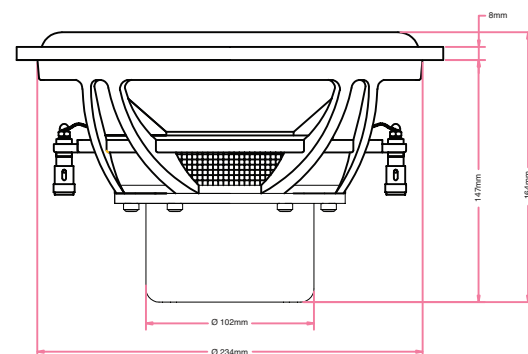
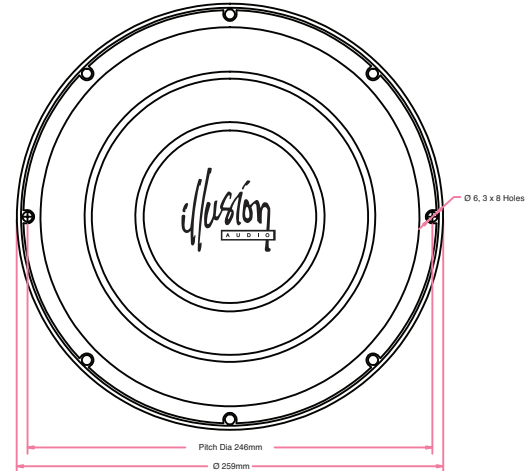


## SUBWOOFER SPECIFICATIONS

- Woven carbon fiber laminated cellulose cone with rubber surround
- Cast aluminum basket
- Dual voice coil 2 + 2 = 4 Ohm
- Recommended Sealed Box:
  - 50% fill with Black Hole Stuff
  - 3/4 cubic foot = 21 liter
  - 3dB = 48 Hz

Fs	42 Hz
Re	3.9 Ohms
Qms	6.35
Qes	0.8
Qts	0.71
Le	0.85 mH
Vas	12.25 liter
Mms	173.65 gram
Cms	80 uM/Newton
Bl	15.04 Tesla-M
SPLref	85.6 (2.83 volts at 1 meter)
Sd	330 sq cm
Xmax	18 mm
Xsus	25 mm

Nominal Power	500 watts
Maximum Power	1000 watts
Outside Diameter	259 mm
Mount Hole	234 mm
Mount Depth	147 mm
Weight	4550 gram





# CARBON C10

A U D I O

804 CALLE PLANO, CAMARILLO, CA 93012 - 888.340.4403 - WWW.ILLUSIONAUDIO-AMERICA.COM



## SUBWOOFER SPECIFICATIONS

- Woven carbon fiber cone with rubber surround
- Cast aluminum basket
- 51 mm voice coil
- Recommended Sealed Box:
  - 50% fill with Black Hole Stuff
  - 3/4 cubic foot = 21 liter
  - 3dB = 48 Hz

Fs	32.05 Hz
Re	3.18 Ohms
Qms	4.15
Qes	0.53
Qts	0.47
Le	0.99 mH
Vas	32.95 liter
Mms	126 gram
Cms	196 uM/Newton
Bl	12.34 Tesla-M
SPLref	87.9 (2.83 volts at 1 meter)
Sd	346 sq cm
Xmax	10 mm
Xsus	25 mm

Nominal Power	300 watts
Maximum Power	600 watts
Outside Diameter	271 mm
Mount Hole	240 mm
Mount Depth	75.6 mm
Weight	2400 gram

